

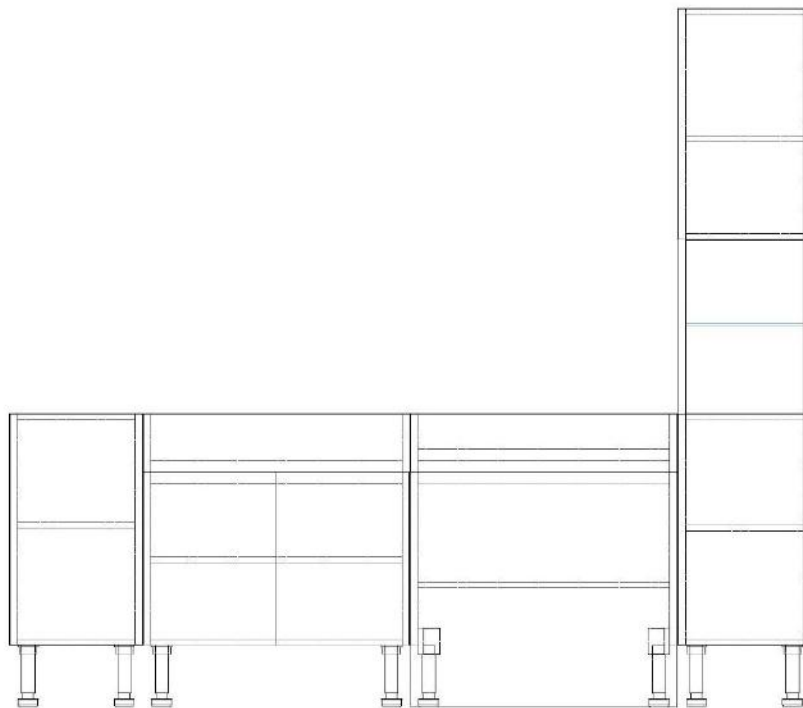
USER MANUAL



Thank you for choosing Better Bathrooms.
Please read this manual before installing your product
and keep for future reference.

better 
bathrooms

Ontario Fitted Furniture Range



- **Single-person assembly**
- **Tools required**
- **We always recommend using professional tradespeople to install your product**

Congratulations on your purchase

And welcome to our growing gang of savvy shoppers

We're on a mission to bring you extraordinary bathroom products, for less. From modern to traditional style ceramics, plus the gorgeous fixtures, fittings and furniture to match. So, you can fall in love with your space every single day.

As one of the UK's largest independent bathroom stores, we've received countless awards; including the National Business Awards UK, the Digital Entrepreneur Awards and being placed on The Sunday Times Fast Track 100.

We hope your new product goes above and beyond your expectations. However, should any problems occur, please:

- log in to your account and contact our customer services team via your self-serve portal – betterbathrooms.com/CustomerAccount/Login
- contact us via betterbathrooms.com/content/contact-us

Important information

- Please read these instructions thoroughly and retain for future reference
- Always check for pipes and cables before drilling

Contents

Vanity Unit: inc 2 x Doors, 1 Top Panel c/w 2 pull off Ke-Ku clips, hinges, 1 Shelf, 1 Back Panel

Fittings box provided inc

- 4 - 180mm Leg kits
- 8 - Screws 4 x 16 (Roundhead) leg sockets
- 1 - Hanging Bracket kit
- 4 - shelf studs
- 1 - 600mm edging
- 4 - Plinth Clips

300mm Storage Unit inc 1 x Door, hinges, 1 Shelf, 1 Back

Fittings box provided inc

- 4 - 180mm Leg kits
- 8 - Screws 4 x 16 (Roundhead) leg sockets
- 1 - Hanging Bracket kit
- 4 - shelf studs

Tall Wall Unit inc 2 x Doors, hinges, 1 fixed shelf, 1 Back

Fittings box provided inc

- 4 - 180mm Leg kits
- 8 - Screws 4 x 16 (Roundhead) leg sockets
- 1 - Hanging Bracket kit
- 12 - shelf studs

WC Unit inc 1x Top Panel, 1 Lower Panel, 2 push on ke-ku clips 4 lift up Ke-Ku clips

Fittings box provided inc

- 4 - 180mm Leg kits
- 4 - Side sockets
- 16 - Screws 4 x 16 (Roundhead) leg & side sockets
- 1 - Hanging Bracket kit

Additional hardware:

Tall end panel

Short end panel

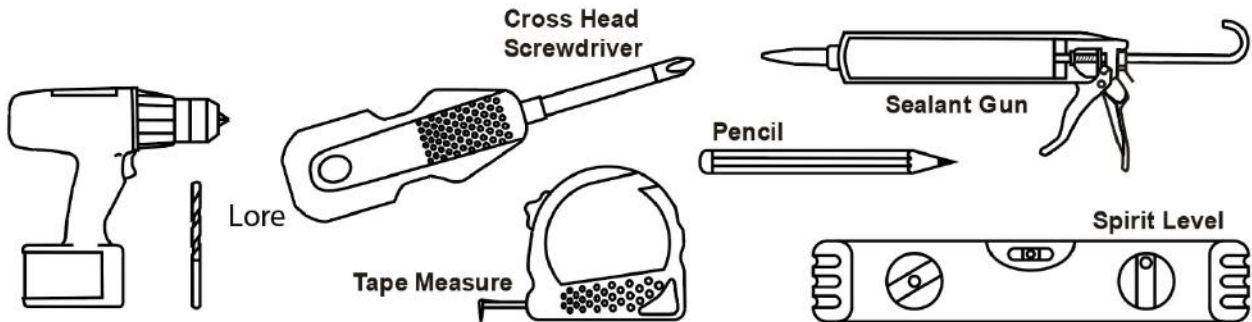
Long bottom plinth with additional edging strip

Tools Required

Drill and drill bits

Required when securing the cabinet to a wall.

Use an appropriate size bit to match the wall fixing chosen (wall screws and fixings not supplied)



Before you start carefully read the instructions.

Check the pack and make sure all the components are included. When you are ready to start make sure you have the right tools to hand, plenty of space and a clean dry area for building. Don't rush, read the instructions first and run through them before you begin.

Keep fittings together to avoid loss. Do not over tighten screws or bolts.

CLEANING Use mild soap and water only. Do not use washing powders or any other types of abrasive cleaner.
See aftercare instructions.

IMPORTANT If you are at all unsure of any part of the instructions shown in this document we recommend that you contact a reputable qualified trades person.

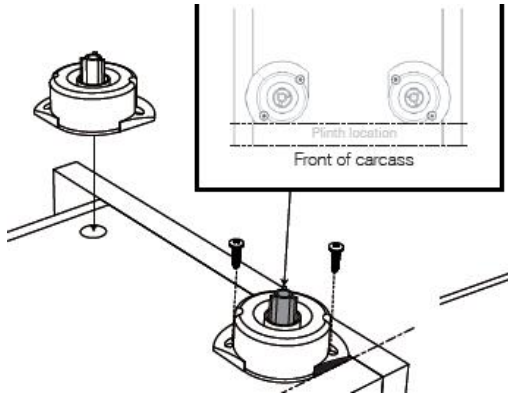


Installation Instructions

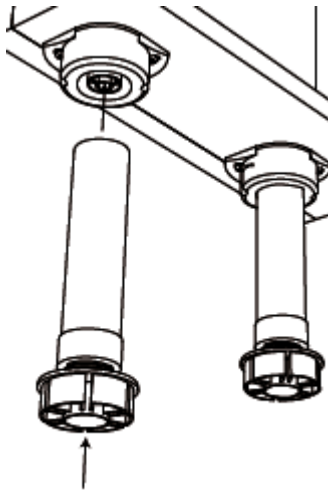
Vanity, 300 storage & Tall Units

Standard Leg Kit fixing - 1

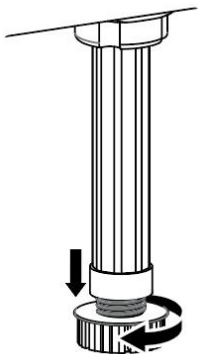
1. Fix the plastic leg tops to the base of the unit ensuring the flat edges on the top face towards the edges of the unit.



2. Gently push the legs into the leg tops, ensuring a snug secure fit.

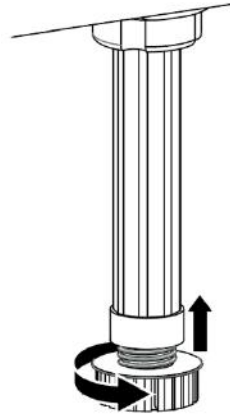


3. Once legs are secure, leg height can be adjusted to suit.

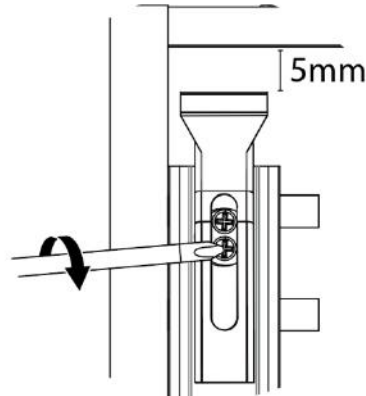


Securing units to walls - 2

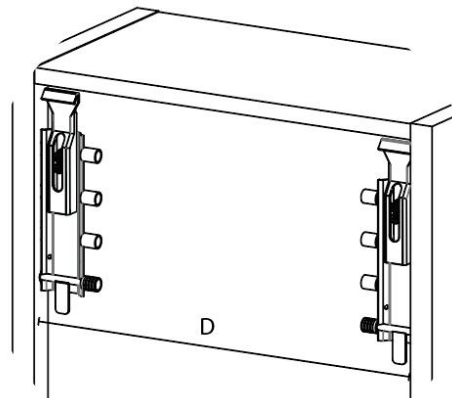
1. Screw the adjustable foot so the leg is at its shortest height. This will allow the unit to hang freely when attaching to the wall.



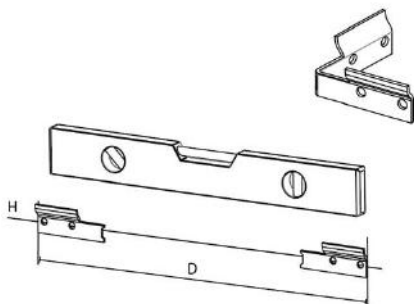
2. Ensure there is a gap of approx. 5mm between the top of the cabinet hanger and the inner edge of the top panel.



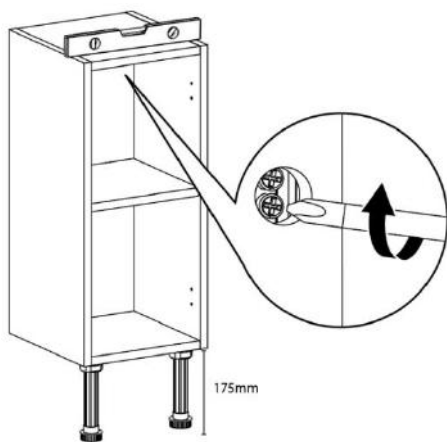
3. Measure a distance 'D' between the internal edges of the end panels of the unit and attach the wall brackets as shown below.



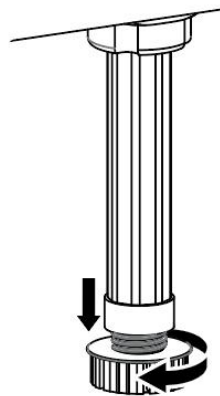
4. Measure a height 'H' from the floor and mark out on the wall, making sure it is level. 'H' should be 780mm for a standard base unit and 1935mm for the tall. Wall plate may need to be snapped in 2, this can be done by repeatedly bending across the middle. Attach the wall plates to the wall.



5. Gently lift the unit onto the wall brackets. Make sure the unit is level and plumb, turning the bottom screw on the cabinet hanger to adjust the height of the unit. When using the standard leg kits make sure there is a gap of 175mm between the floor and the base of the unit to accommodate the plinth. Once the unit is in the correct position, tighten to the wall using the top screw on the cabinet hanger.

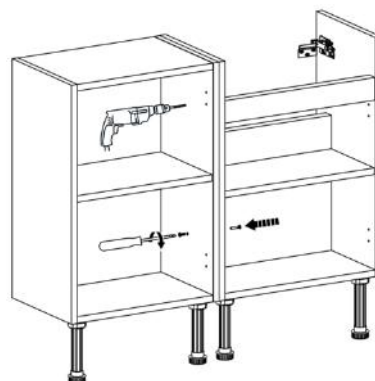


6. Screw the adjustable foot so it sits securely on the floor.



Joining Base Units – 3

1. Attach the base units together using connecting bolts (3.5 x 30mm these are not provided). Drill through the end panel of the unit and secure with screws. It is good practice to clamp the units together before drilling. You may wish to hide the bolts under a loose shelf or behind a hinge.



Vanity Unit back removal - 4

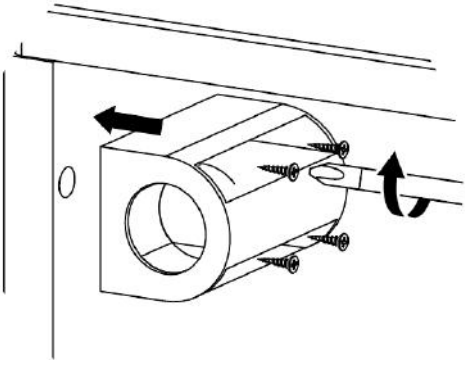
To gain access to pipework remove shelf and gently pull the back. The back is secured with 4 Rafix fixings. Once the work is complete the back can then be pushed back into place and the shelf replaced.

Note: Max loading on any shelf is 10Kgs

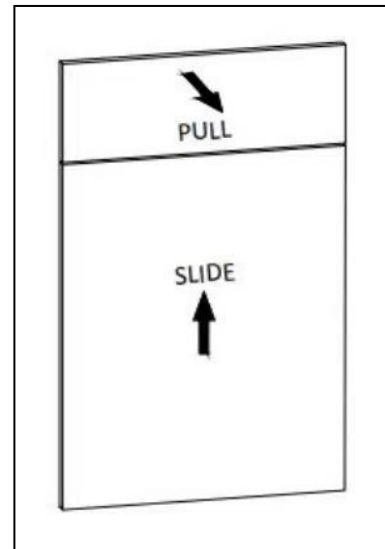
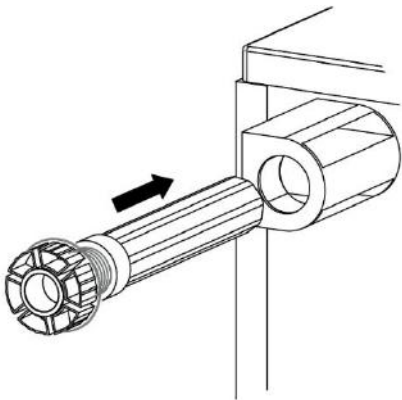
WC Units

WC Leg Kit - 5

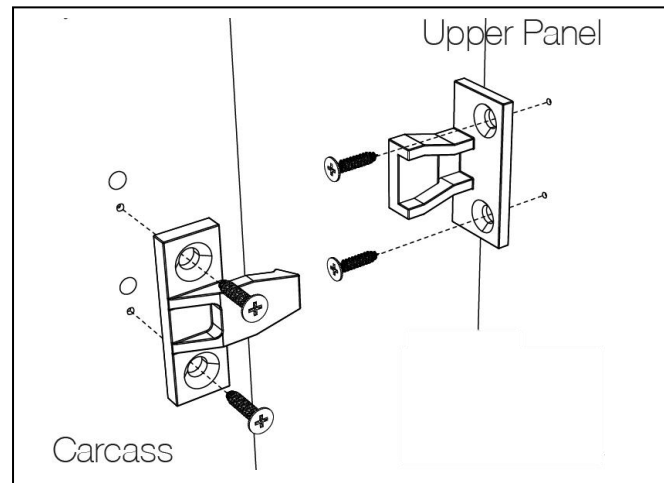
1. Push the leg bosses into the drilled positions and secure them in place using the screws provided.



2. Gently push the legs into the leg tops, ensuring a snug secure fit.

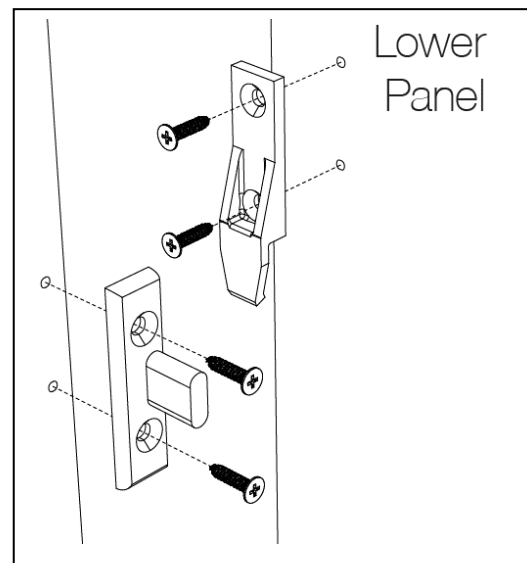
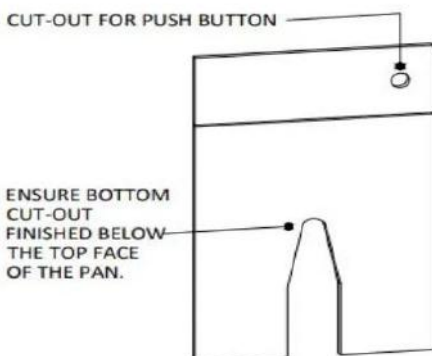


To gain access to the WC the panels are connected using Ke-Ku clips. These are removed as shown



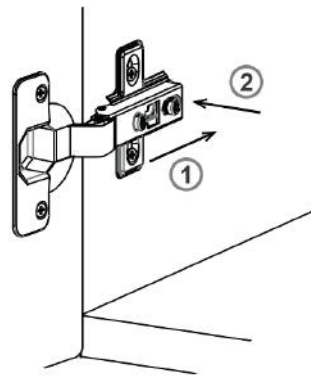
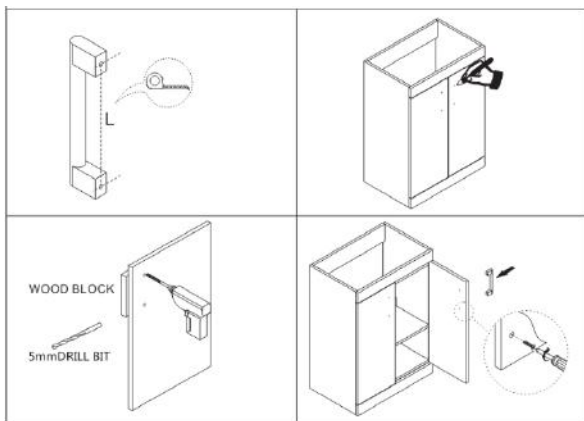
WC Unit front panels - 6

When fitting the WC, the front panel will need to be cut to accommodate any pipe work and installation of the flush. Any cut edges will need to be sealed to prevent water ingress.

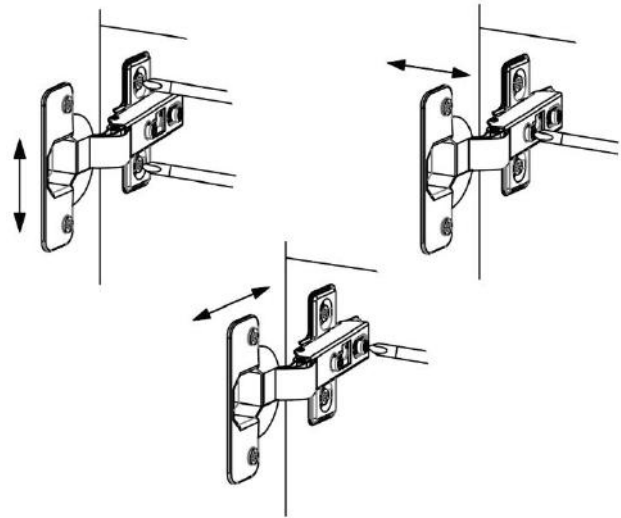


Handle positioning – 7

Once the door orientation has been selected, measure the center to center hole dimension of the handle to be fitted, mark this on the outside of the door (double check this as drilled doors cannot be returned) place a block of wood as indicated below on the inside of the door, along with masking tape on the outside where the hole is to be made to prevent chipping and drill through from the front of the door using a 5mm drill bit, do not force the drill and, once drilled apply a small amount of clear silicone in the holes to seal the door.

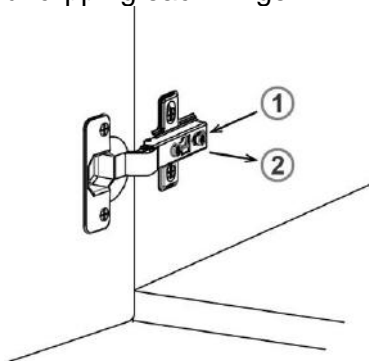


3. Adjust hinges as shown below.



Hinge Adjustment – 8

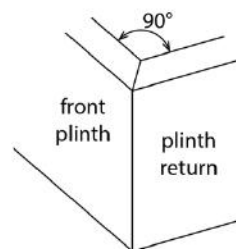
1. To remove any doors, unclip as shown, pushing the clip to the rear of each hinge (1) and lifting away from the base plate (2). Make sure the door is supported when unclipping each hinge.



2. Attach the door back to the unit. Line the hinge up with the base plate (1), and push the back of the hinge until it clicks into place (2).

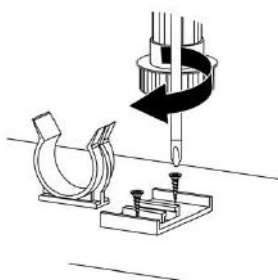
Plinth – 10

1. Cut the plinth to the required size, matching the length of your run of units. The plinth must run behind the WC front panel level with the inside edge of the WC unit side panel. If you are using a plinth return you may wish to mitre the plinth as shown to create a crisp 90° corner. If you are using a filler panel make sure to include this in the length of the plinth.



2. Screw the leg clip plates mid-way up the plinth, making sure they line up with the leg posts. Slide the spring clips into the leg clip plates and gently push the plinth into place. When

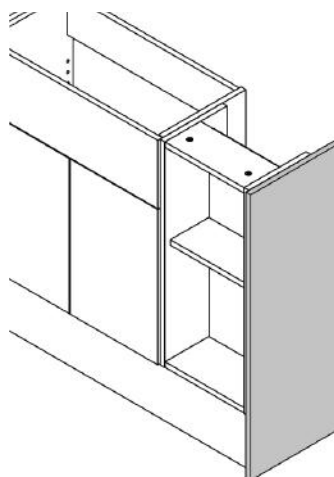
using a plinth return you may wish to place a batten to the rear of the unit for the plinth return to push up against.



3. 1 Additional piece of edging strip has been provided to seal the raw piece of plinth. This can be stuck with any PVA glue (not Supplied)

Installation of End Panel - 11

Ensure that the screws used are the correct length for the thickness of the gable and cladding panel (suggested screw size 3.5x30mm). Where possible, try to hide the screws behind shelves or hinge plates. If it is required to trim the cladding panel to suit the installation, ensure that the cut edges are to the top and/or rear of the panel



Fitting of a Worktop or Basin - 12

The top and unit will need to be cut to accommodate the basin. Please refer to the basin cut out template, supplied with the basin.

Care and maintenance for your furniture

- By following some simple care and cleaning guidelines, furniture can be expected to give many years trouble free service.
- Ensure that no spillages or splashes, including water remain on the surface. Any standing water and sprays must be wiped clean and mopped dry immediately. If left on a surface, water will cause damage.
- Never use chemical or abrasive cleaners, bleach or furniture polishes on any bathroom furniture as the finish can be affected. Clean only with a soft damp cloth and a mild soap solution as necessary.
- Occasional marks, can in most cases, be wiped away using a soft damp cloth. For more stubborn stains, use a non-silicone-based furniture cleaner.
- Door hinges should be wiped clean with a damp soapy cloth and wiped dry with a soft cloth where necessary. The hinges are lubricated and should not be cleaned with a degreasing agent as this will affect the action of the moving parts. Never lean on partially or fully opened doors in order to gain access to the units. The hinges are specified to adequately

support the weight of the doors. It is advised that once the bathroom has been installed you should check every six months that all screws are tight.

- On completion of installation, all sawdust must be removed from the units. Units must be inspected carefully with any dirt or grit being removed to ensure smooth function going forward.

Warranty

- Better Bathrooms assumes that these products will be fitted by experienced, competent and qualified installers to validate the 5 year guarantee. A non-professional installation may invalidate this guarantee. The consumer's statutory rights are not affected.
- Do not fit any damaged or defective product - contact your bathroom furniture supplier immediately.
- Better bathroom furniture is designed for domestic environments only. These environments must be adequately ventilated, and it is strongly recommended that a suitable extractor fan is installed to prevent condensation build up and to prevent damage to the furniture.
- MDF or MFC based bathroom furniture must never be installed next to unscreened showers or in wet rooms or in areas where it will come in to regular direct contact with water.
- Any cut panel edges must be sealed with a good quality PVA or silicone-based sealant, especially the rear edge of any trimmed worktops or abutments to basins. Failure to do this will invalidate the guarantee.

All points where worktops or furniture abut walls, floors or basins should be sealed with a bead of silicone to prevent capillary

For more information

- visit betterbathrooms.com
- email customerservices@buyitdirect.co.uk
- call 0330 390 3062
- write to Trident Business Park, Neptune Way, Huddersfield, HD2 1UA

better 
bathrooms

Part of the BuyItDirect Group